

Replacement Parts



List EmberGlo® Steamer Model ES10T / ES10PB

*Tap Water Operation
Designed to Operate
Without Distilled Water*



Manual Push Button Operation
Steamer with Direct Water Hookup
Full Size Food Pan

Installation and Service Manual - 8470-77

Date Code -

Model ES10 first construction May, 1983

Items listed are replacement parts for the current Model ES10 Tap Water Steamer and its components.

- EmberGlo Steamers do not require a separate hood for vapor produced during operation according to the Uniform Mechanical Codes per the International Conference of Building Officials Code.



EmberGlo®

EmberGlo
A Div of Midco® International Inc.
4140 West Victoria Street
Chicago, Illinois 60646
toll free 866.705.0514
tel 773.604.8700
fax 773.604.4070
web www.emberglo.com
e-mail sales@emberglo.com

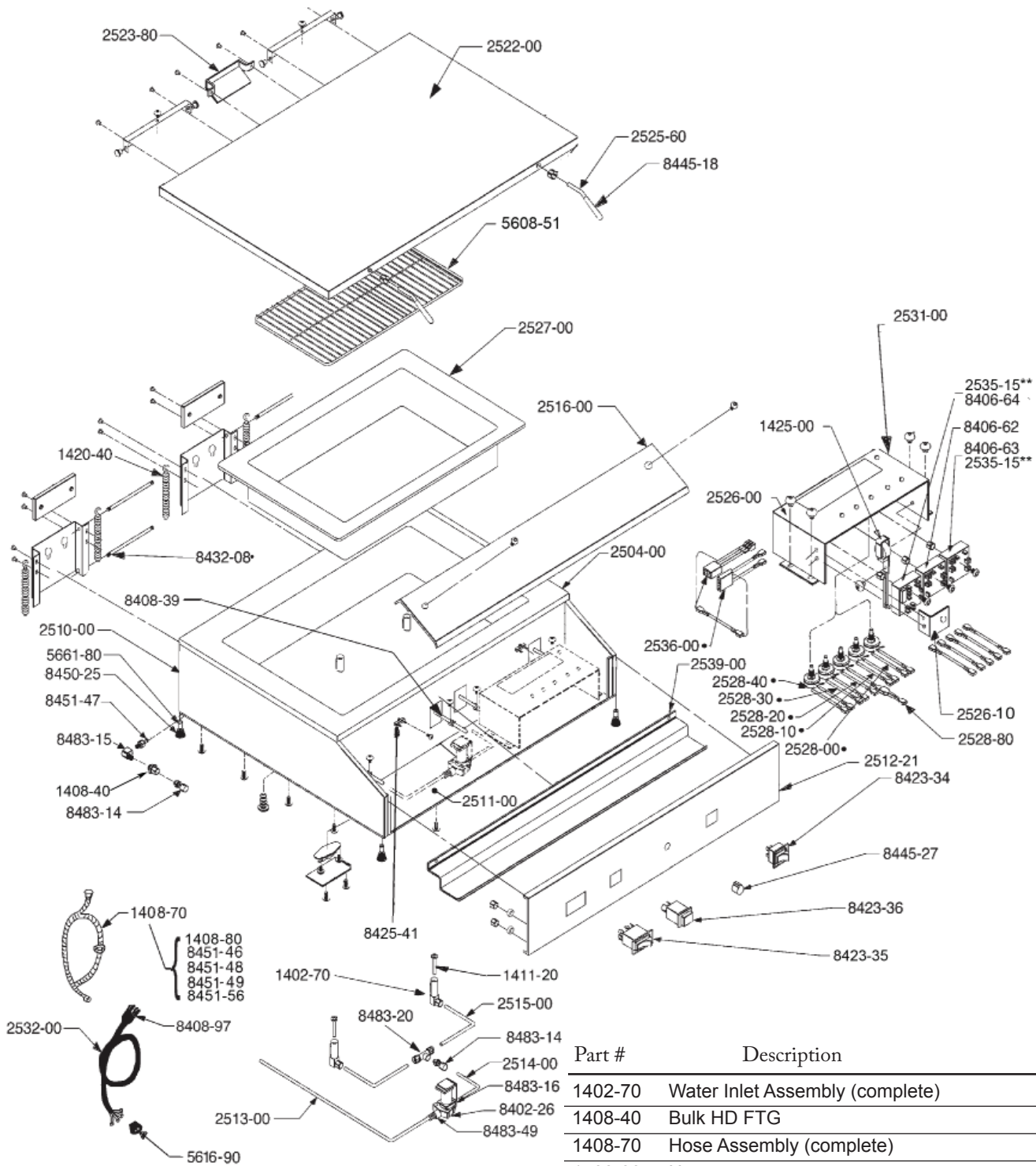
AVOID ERROR IN PARTS SELECTION. When ordering use complete EmberGlo Part Number and Description. Furnish Model Number, Bill of Material Number and Serial Number (if available) from the specification plate found on the product.

IMPORTANT: Availability of parts as well as specifications are subject to change without notice.

Quality Designed for Proven Performance

511
8472 62
Printed in USA

ES10 Exploded View



Part #	Description	Qty
1402-70	Water Inlet Assembly (complete)	1
1408-40	Bulk HD FTG	1
1408-70	Hose Assembly (complete)	1
1408-80	Hose	1
1411-20	Nozzle Assembly	2
1420-40	Hinge Spring	4
1425-00	Buzzer Assembly 120V-3200 watts	1
2504-00	Generator 120V - 3200 watts	1
2510-00	Cabinet Weldment	1
2511-00	Bottom Panel	1
2512-21	Switch Panel	1
2513-00	Water Inlet Tube	1
2514-00	Solenoid Water Tube	1

** Order 2535-15 for units prior to 2005

•Refer to listing

ES10 Parts List

Part #	Description	Qty	Part #	Description	Qty
2515-00	Left and Right Water Inlet Tube (2 required)	2	8451-48	Quick Connect Body	1
2516-00	Control Access Cover	1	8451-49	Female Hose Barb	2
2522-00	Lid Assembly	1	8451-56	1/2" ID Hose Clamp	
2523-80	Steam Deflector	1	8483-14	1/8 MPT x 1/4T ST Brass Comp. Fit	1
2525-60	Lid Handle (metal)	2	8483-15	1/8 Brass Street Ell	1
2526-00	Timer Panel	1	8483-16	1/4 FPT x 1/4T Brass Comp. Ell	1
2526-10	20 Minute Timer Bracket	1	8483-20	1/4T x 1/4T x 1/8F Comp. Tee	1
2527-00	Food Pan	1	8483-49	1/4 x 1/4T Str. Conn.	1
2528-00	1-Meg OHM Potentiometer/Brn Wires	1	Not Shown		
2528-10	1-Meg OHM Potentiometer/Blu Wires	1	1404-00	Side Insulation	1
2528-20	1-Meg OHM Potentiometer/Org Wires	1	1404-20	Rear Insulation	1
2528-30	100K OHM Potentiometer/BluWht Wires	1	1404-30	Bottom Insulation	1
2528-40	1Meg OHM Potentiometer/BrnWht Wires	1	1412-61	Nozzle Spring	1
2528-80	680K In-line Resistor	1	1412-80	Water Connection Label	1
2531-00	Timer Assembly Exterior	1	1420-00	Spring Bar	2
2532-00	Power Cord Assembly	1	1421-45	Back Hinge Kit (less spring bar & spring)	2
2535-15	Timer for Units Prior to 2005	1	2525-00	Lid Gasket	1
2536-00	4-Wire Assembly(F)	1	2540-50	Switch Panel Push Button Kit	1
2539-00	Guard (Controls)	1	2541-00	Wire Harness	1
5608-51	Food Pan Grid	2	2541-50	Switch Panel Timer Kit	1
5616-90	Strain Relief (SR-6P-4)	1	5601-40	Generator Insulation	1
5661-80	Aluminum Leg	4	8408-96	Hubbel Receptacle	2
8402-26	1/4 NPT Solenoid Valve (120 volt)	1	8425-08	Thermostat	1
8406-62	Shot Timer	1	8457-10	Strain Relief	1
8406-63	Buzzer Timer	1	8484-80	Snap Bushing (SB-500-6)	1
8406-64	20 Minute Timer	1	8484-84	Snap Bushing (SB-750-9)	1
8408-39	Silicone Boot	4	Accessories - Not Shown		
8423-34	Lighted On-Off DPST Switch	1	5608-71	TorPita -Tortilla/Pita Rack w/ Handle	
8423-35	Mode Rocker Switch	1	5608-53	Mesh Food Pan Grid w/ Separator	
8423-36	Push Button Switch	1	5608-70	Three in 1 Basket Kit w/ Handle	
8425-41	Thermal Cut-off	1	5608-72	1/2 Size Basket w/ Handle	
8432-08	5/16 x 3/16 O-Ring	1	5608-73	Two of 1/4 Size Basket w/ Handle	
8445-18	Tapered Handle (Black Plastic)	1	5608-61	Egg Poacher 6 cup	
8445-27	Knob-for 2528-40	1	8450-62	Steam Generator Cleaning Brush	
8450-25	Rubber Feet	4			
8451-46	Strainer	1			
8451-47	Quick Connect Insert	1			

ADJUSTABLE HINGE FOR 2-POSITION LID OPENING (60° OR 90° OPEN)

First construction January 29, 1990 (date code 0590). Steamers built before this date featured a 90° opening lid. Replacement parts for the early construction are no longer available. When replacing order Part Number 1421-45 ADJUSTABLE HINGE RETROFIT KIT.

Part # or Item #	Description	Qty
1	Adjustable Upper Hinge	1
2	Lid Stop Rivetment	1
3	Upper Hinge Bar	1
4	Adjustable Lower Hinge	1
5	5/16" x 3/16" O-Ring	2

Not Shown - (Sold Separately)

1420-00	Spring bar	2
1420-40	ES5 Hinge Spring	2

